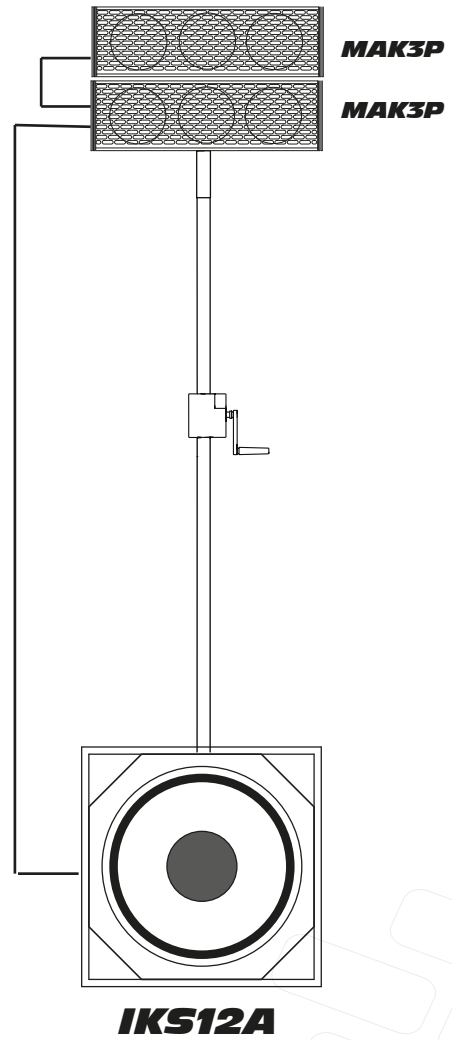
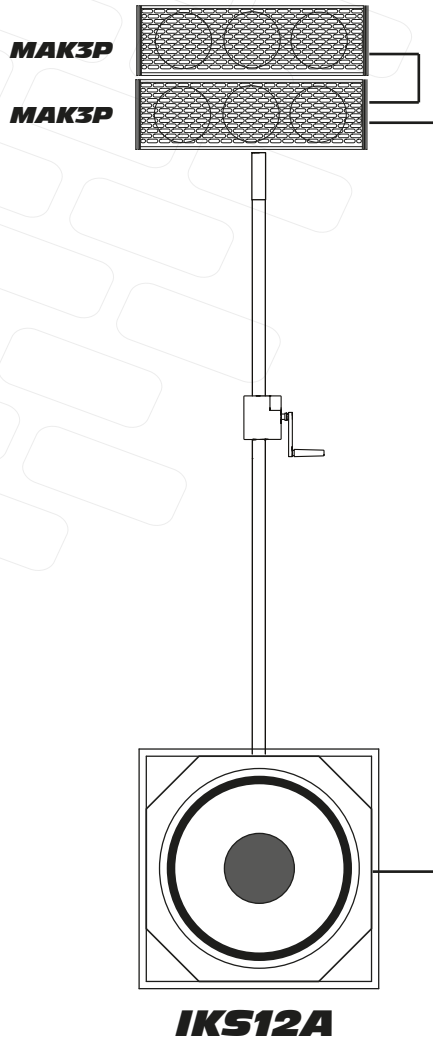


MAK3P - IKS12A**Active Portable Stereo Set**

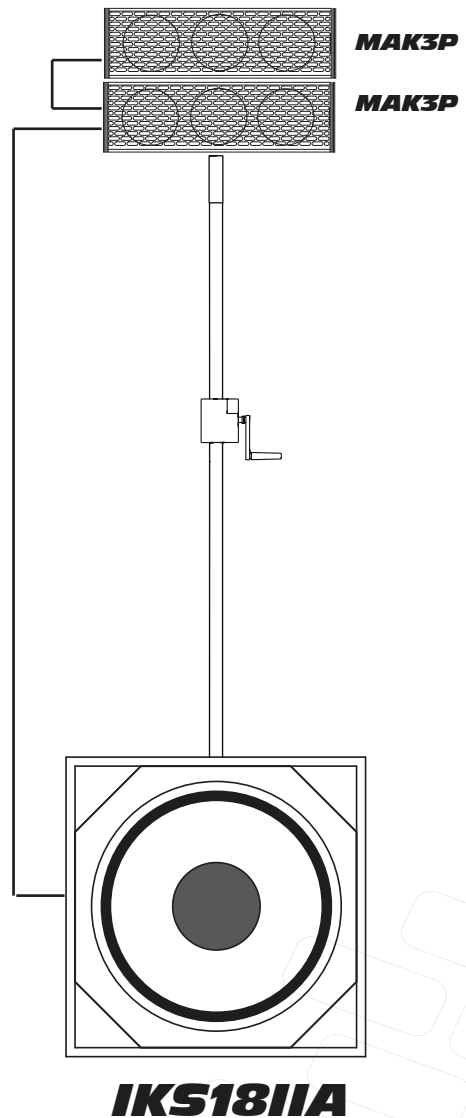
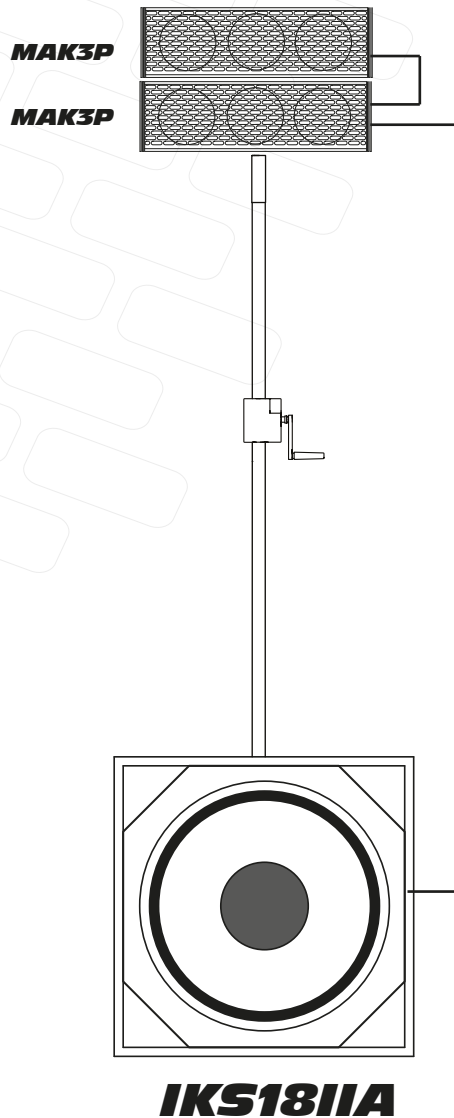
Recommended System Configurations

**SYSTEM EXAMPLE 2.800W rms POWER / 1.560W rms SPEAKER**

- 4 x MAK3P Pasive 3x3"
- 2 x IKS12A, Active Direct Radiation 12" Subwoofer

MAK3P - IKS18A**Active Portable Stereo Set**

Recommended System Configurations

**SYSTEM EXAMPLE 2.800W rms POWER / 1.560W rms SPEAKER**

- 4 x MAK3P Pasive 3x3"
- 2 x IKS18A, Active Direct Radiation 18" Subwoofer

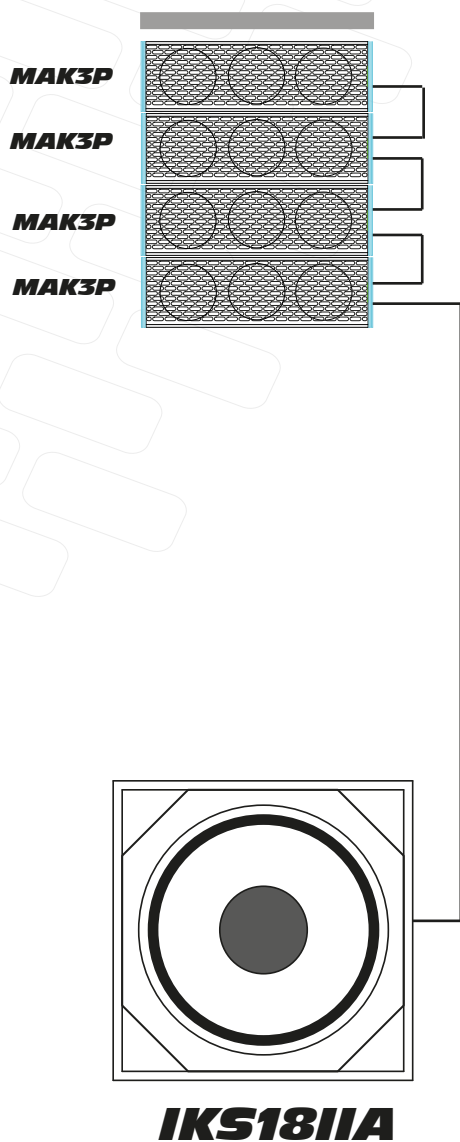
UNKA is always in pursuit of better performance, greater reliability and design features. Technical specifications and minor finish details may vary without notice in order to improve our products.

UNKA SOUND SYSTEM
Polígono de Roces Calle Arquímedes nº100
33210 Gijón Asturias España
Tlf. +34 985 30 17 32 Fax. +34 985 30 17 32
www.unka.es unka@unka.es

MAK3P - IKS18A

Active Portable Stereo Set

Recommended System Configurations



SYSTEM EXAMPLE 2.800W rms POWER / 1.920W rms SPEAKER

- 8 x MAK3 Pasive 3x3"
- 2 x IKS18A, Active Direct Radiation 18" Subwoofer

A3B563A2B489A1B074

UNKA SOUND Active Systems Configurations

UNKA is always in pursuit of better performance, greater reliability and design features. Technical specifications and minor finish details may vary without notice in order to improve our products.

UNKA SOUND SYSTEM
 Polígono de Roces Calle Arquímedes nº100
 33210 Gijón Asturias España
 Tlf. +34 985 30 17 32 Fax. +34 985 30 17 32
 www.unka.es unka@unka.es